

SHEET TITLE : AZTECH MODEL PVE-800

DRWG. NO.: PVE8-0210 | DRAWN BY: TAA

DATE: 02/23/10 | SCALE: NTS

**SPECIFICATIONS:**

DIMENSIONS: 37"H X 18.5"W X 25.25"D

MOTOR: 1.5 HP 115/230V/60 TEFCC  
14.2/7.1 FLA

CFM: 800 CFM @ 1.0" W.G.

CONSTRUCTION: POWDER COATED TUBULAR  
STEEL FRAME.  
REMOVABLE MOTOR PLATE  
5" SWIVEL CASTERS W/ BRAKE

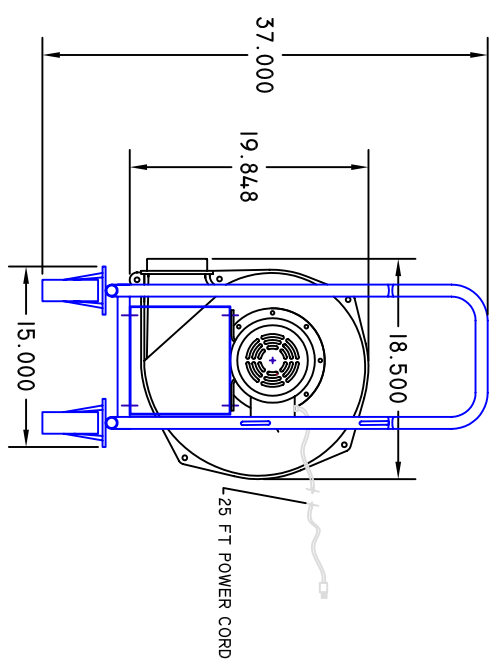
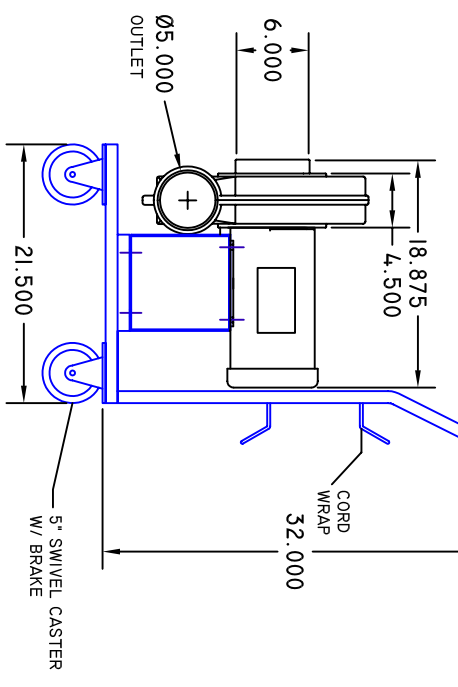
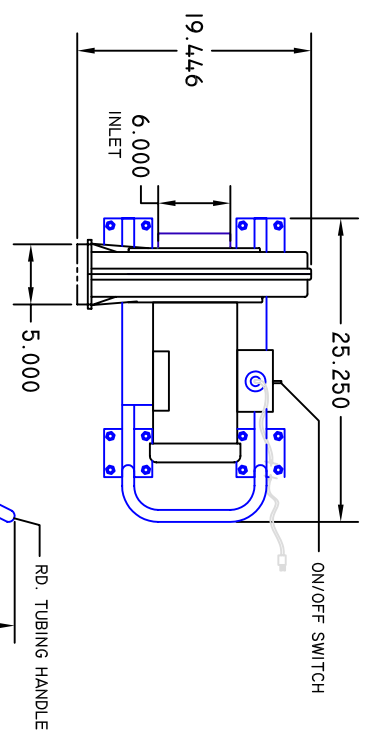
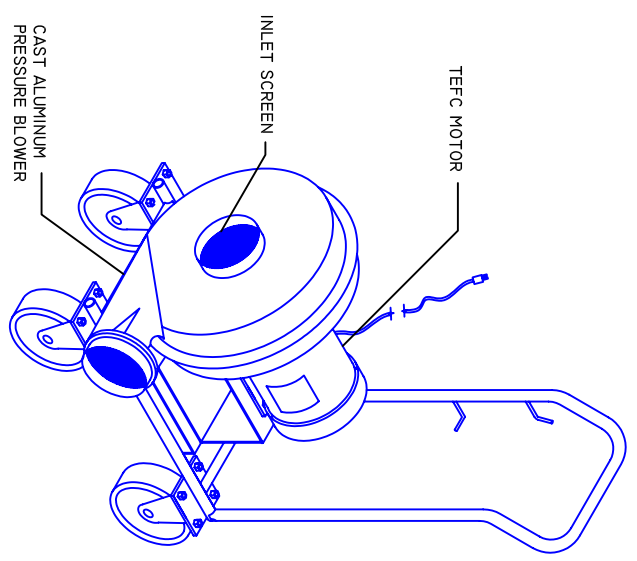
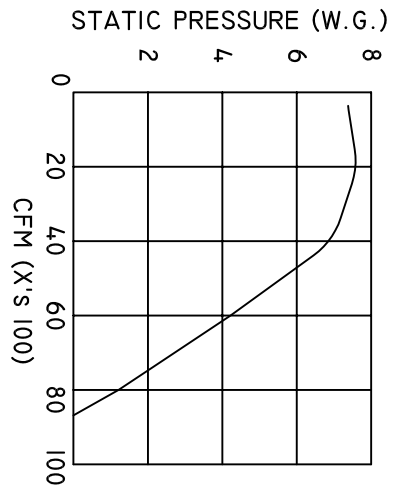
ELECTRICAL: 25 FT. 13/3 POWER CORD  
W/ TOGGLE SWITCH

BLOWER: DIRECT DRIVE CAST ALUM. RADIAL  
PRESSURE BLOWER

FILTERS: N/A

OPTIONS:  
4" REDUCERS  
4" - 600 DEG. FLEX HOSE  
4" - 600 DEG. FLEX HOSE  
CLAMPS  
ADAPTORS

WEIGHT: 120 LBS



DISTRIBUTED BY:

COPYRIGHT: THIS DOCUMENT AND THE INFORMATION CONTAINED MAY NOT BE REPRODUCED OR DISTRIBUTED WITHOUT EXPRESS WRITTEN CONSENT OF INDUSTRIAL MAID. UNAUTHORIZED REPRODUCTION, DISCLOSURE, OR MANUFACTURING USE ARE PROHIBITED BY COPYRIGHT LAW.



**INDUSTRIAL MAID LLC**  
 351 S. 12 RD.  
 CORTLAND, NE 68331  
 PH. (402) 798-7116  
 FAX (402) 798-7117  
 WWW.INDUSTRIAL-MAID.COM