

SPECIFICATIONS:

DIMENSIONS: 110.25"H X 26" W X 23.75" D

MOTOR: 3/4 HP, 230/460/1160, 1 SPEED, 3.4/1.7 FLA
2HP, 208-230/460/3/60, 6.0-5.8/2.9 FLA
3HP, 230/460/3/60, 8.6/4.3

CFM: 3/4 HP - 3,000 CFM @ 6" W.G.
2 HP - 3,500 CFM @ 1.0" W.G.
3HP - 4,500 CFM @ .85" W.G.

ELECTRICAL: 3/4 HP - WIRED TO JCT. BOX
2 HP, 1 PH. - WIRED TO JCT. BOX
2 & 3 HP, 3 PH. WIRED TO JCT. BOX

BLOWER: 10 X 10 FORWARD CURVED BLOWER
3/4 HP DIRECT DR. 2 & 3 HP BELT DR.

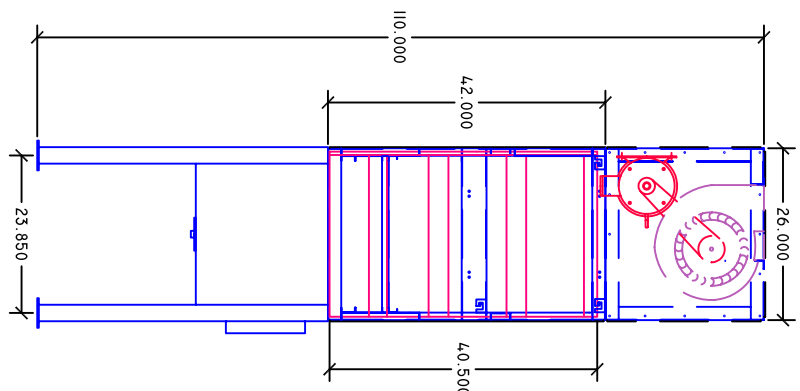
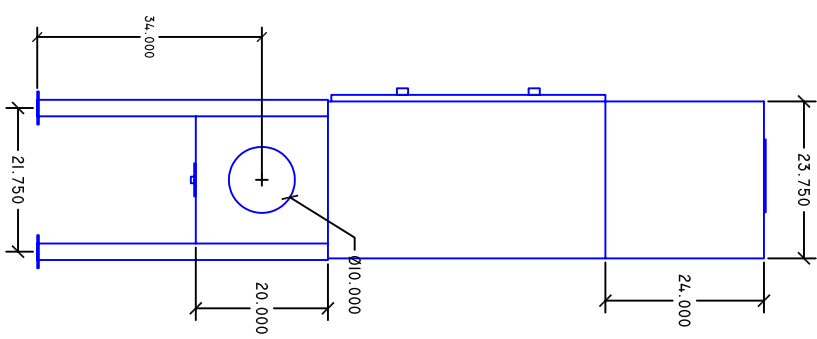
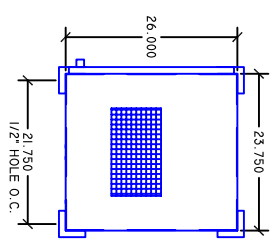
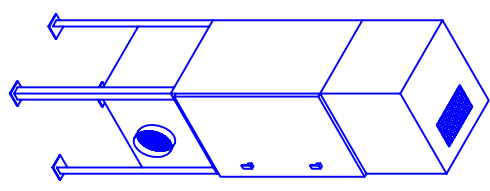
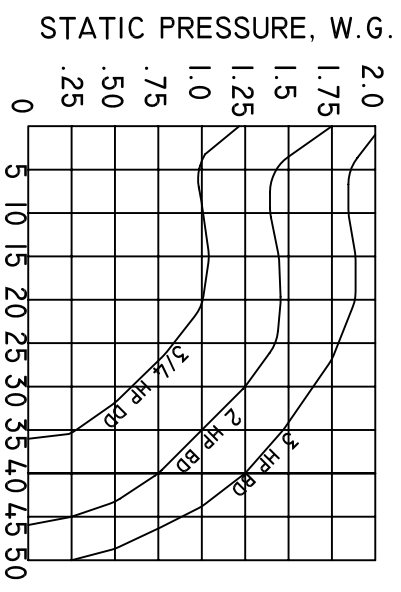
CONSTRUCTION: 12 & 14 GA POWDER COATED STEEL
FRAME, 16 GA STEEL DOOR.
3/16 POLYETHYLENE PANELS, FULL
CARBON STEEL CONSTRUCTION
AVAILABLE: 1-1/2 NPT DRAIN
4-WAY ALUMINUM EXHAUST GRILLE

STD. FILTERS: 2" BAFFLE
95% BAG FILTER

OPTIONAL FILTERS: 2" MIST ELIMINATOR
26 LB CARBON AFTERFILTER
2" POLY PREFILTER
4" PLEATED PREFILTER
2" ALUMINUM MESH PREFILTER
99.97% HEPA AFTERFILTER

OPTIONS: EYEBOLTS (INSTALLED)
SILENCER
MAGNETIC PRESSURE GAUGE
MANOMETER
SOURCE CAPTURE PLENUM
DOUBLE DOOR
4"-12" COLLAR

WEIGHT: 285 LBS.



DISTRIBUTED BY:

COPYRIGHT: THIS DOCUMENT AND THE INFORMATION CONTAINED MAY NOT BE REPRODUCED OR DISTRIBUTED WITHOUT EXPRESS WRITTEN CONSENT OF INDUSTRIAL MAID. UNAUTHORIZED REPRODUCTION, DISCLOSURE, OR MANUFACTURING USE ARE PROHIBITED BY COPYRIGHT LAW.



MFG. BY:
INDUSTRIAL MAID LLC
351 S. 12TH RD.
CORTLAND, NE 68331
PH. (402) 798-7116
FAX (402) 798-7117
WWW.INDUSTRIAL-MAID.COM