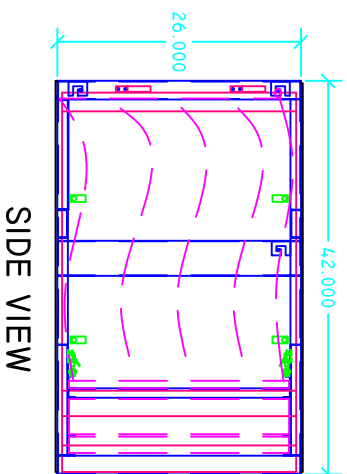
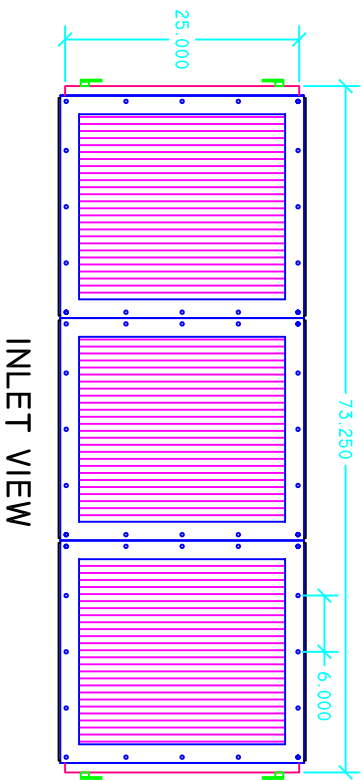
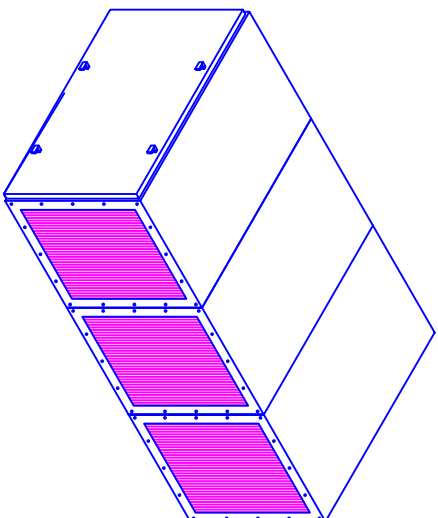
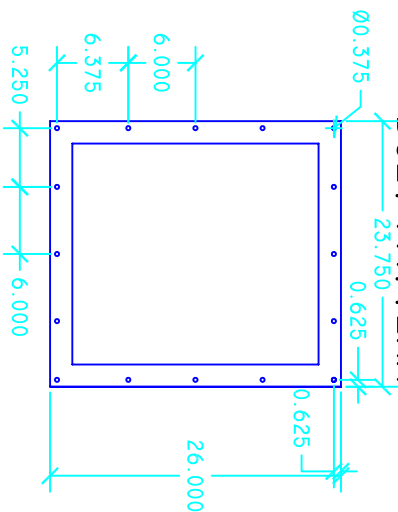


**TYPICAL INLET  
BOLT PATTERN**



SHEET TITLE : AZTECH M36X3

DRWG. NO.: 363-042705 DRAWN BY: TAA

DATE: 04/27/05 SCALE: NTS

**SPECIFICATIONS:**

DIMENSIONS: 26"H X 42" W X 73.25" D

CONSTRUCTION  
 12 & 1/4 GA POWDER COATED STEEL FRAME (2) 16 GA STEEL DOORS.  
 3/16 POLYETHYLENE PANELS.  
 CAM LOCK DOOR LATCHES  
 ADJUSTABLE COMPRESSION HINGE  
 4-WAY ALUMINUM EXHAUST GRILLE  
 QUICK RELEASE FILTER CLAMPS

STD. FILTERS: (3) 4" PLEATED PREFILTERS  
 (3) 95% BAG FILTERS

OPTIONAL FILTERS: 65% BAG FILTER.  
 26 LB CARBON MODULE  
 2" AL. MESH PREFILTER  
 2" BAFFLED PREFILTER  
 4" MIST ELIMINATOR  
 2" POLY PAD  
 99.97% HEPA AFTERFILTER

OPTIONS:  
 EYEBOLTS (INSTALLED)  
 SILENCER  
 MAGNETIC PRESSURE GAUGE  
 MANOMETER  
 SOURCE CAPTURE PLENUM  
 DUAL DOORS  
 FULL CARBON STEEL CONST.

WEIGHT: 480 LBS. (STD)



INDUSTRIAL MAID LLC  
 351 S. 12TH RD.  
 CORTLAND, NE 68331  
 PH. (402) 798-7116  
 FAX (402) 798-7117  
 WWW.INDUSTRIAL-MAID.COM

DISTRIBUTED BY:

COPYRIGHT: THIS DOCUMENT AND THE INFORMATION CONTAINED MAY NOT BE REPRODUCED OR DISTRIBUTED WITHOUT EXPRESS WRITTEN CONSENT OF INDUSTRIAL MAID. UNAUTHORIZED REPRODUCTION, DISCLOSURE, OR MANUFACTURING USE ARE PROHIBITED BY COPYRIGHT LAW.