

SHEET TITLE : AZTECH M36X2 IAC

DRWG. NO.: 3621-081307 DRAWN BY: TAA

DATE: 08/13/07 SCALE: NTS

**SPECIFICATIONS:**

DIMENSIONS: 25" H X 66" W X 48" D

MOTOR: 2HP, 208-230/460/3/60, 6.0-5.8/2.9 FLA  
3HP, 230/460/3/60, 8.6/4.3 FLA

CFM: 2 HP - 3,500 CFM @ 1.0" W.G.  
3HP - 4,500 CFM @ .85" W.G.

ELECTRICAL: 2 HP, 1 PH. - WIRED TO JCT. BOX  
2 & 3 HP, 3 PH. WIRED TO JCT. BOX

BLOWER: 10 X 10 FORWARD CURVED BLOWER  
BELT DRIVE

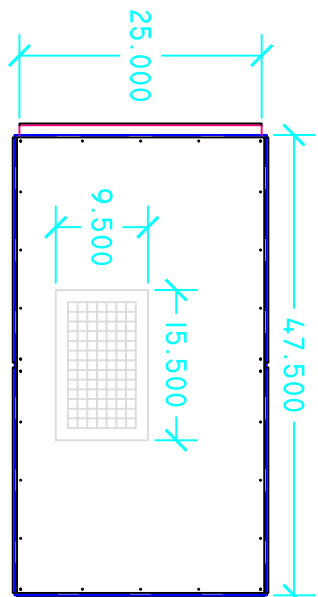
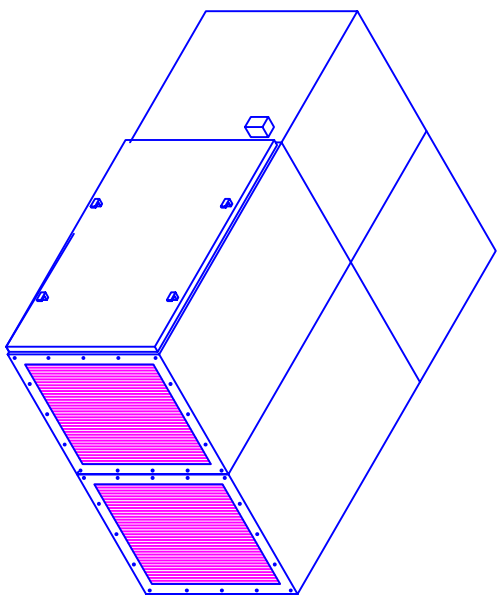
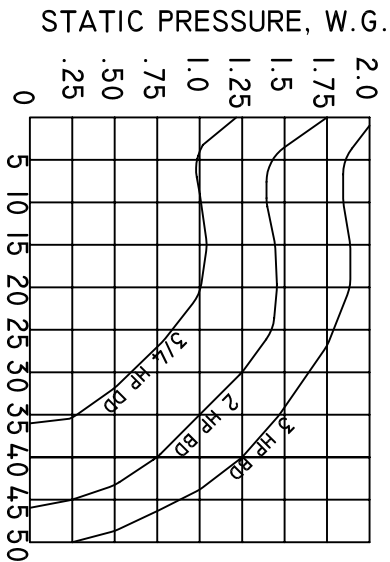
CONSTRUCTION: 12 & 14 GA POWDER COATED STEEL  
FRAME, 16 GA STEEL DOORS,  
3/16 POLYETHYLENE PANELS,  
ADJ. COMPRESSION HINGES  
CAM FILTER AND DOOR LATCHES  
4-WAY ALUMINUM EXHAUST GRILLE

STD. FILTERS: (2) 4" PLEATED PREFILTER  
(2) 95% BAG FILTER

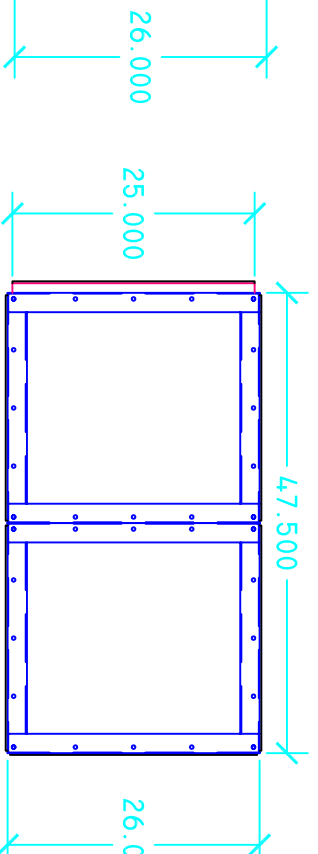
OPTIONAL FILTERS: (2) 65% BAG FILTER,  
(2) 26 LB CARBON MODULES  
(2) 2" MESH PREFILTERS  
(2) 2" BAFLED PREFILTERS  
(2) 4" MIST ELIMINATORS  
(2) 99.97% HEPA AFTERFILTERS

OPTIONS: EVEROLTS (INSTALLED)  
SILENCER  
MAGNETIC PRESSURE GAUGE  
MANOMETER  
SOURCE CAPTURE PLENUM  
DUAL DOORS  
ALL STEEL CONSTRUCTION

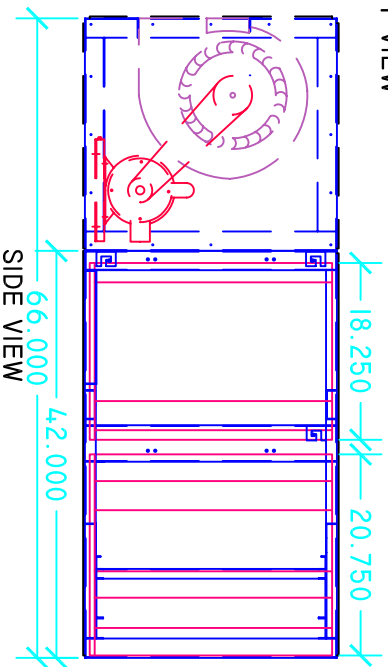
WEIGHT: 443 LBS. (STD.)



EXHAUST VIEW



INLET VIEW



SIDE VIEW

DISTRIBUTED BY:

COPYRIGHT: THIS DOCUMENT AND THE INFORMATION CONTAINED MAY NOT BE REPRODUCED OR DISTRIBUTED WITHOUT EXPRESS WRITTEN CONSENT OF INDUSTRIAL MAID. UNAUTHORIZED REPRODUCTION, DISCLOSURE, OR MANUFACTURING USE ARE PROHIBITED BY COPYRIGHT LAW.



INDUSTRIAL MAID LLC  
351 S. 12TH RD.  
CORTLAND, NE 68331  
PH. (402) 798-7116  
FAX (402) 798-7117  
WWW.INDUSTRIAL-MAID.COM