

SHEET TITLE : AZTECH M36

DRWG. NO.: 36-042705 DRAWN BY: TAA

DATE: 04/27/05 SCALE: NTS

SPECIFICATIONS:

DIMENSIONS: 26"H X 42" W X 25" D

CONSTRUCTION 12 & 1/4 GA POWDER COATED STEEL

FRAME: 16 GA STEEL DOOR, 3/16 POLYETHYLENE PANELS.

CAM LOCK DOOR LATCHES ADJUSTABLE COMPRESSION HINGE

4-WAY ALUMINUM EXHAUST GRILLE QUICK RELEASE FILTER CLAMPS

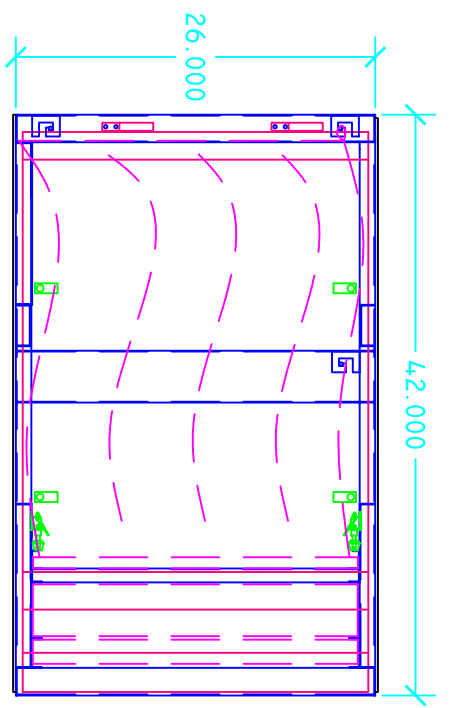
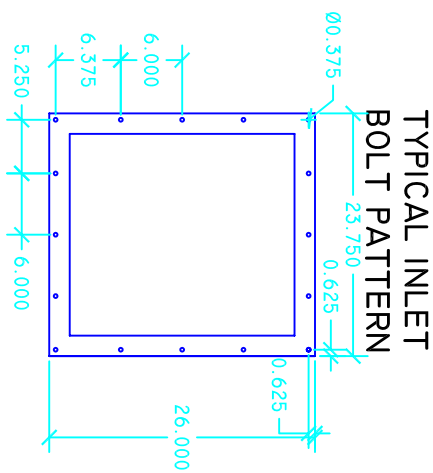
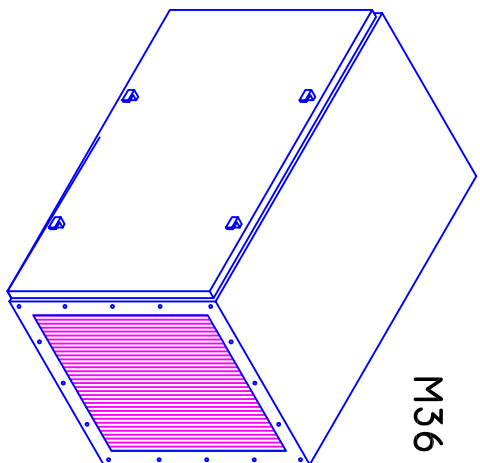
STD. FILTERS: 4" PLEATED PREFILTER 95% BAG FILTER

OPTIONAL FILTERS: 65% BAG FILTER, 26 LB CARBON MODULE 2" AL. MESH PREFILTER 2" BAFFLED PREFILTER 4" MIST ELIMINATOR 2" POLY PAD 99.97% HEPA AFTERFILTERS

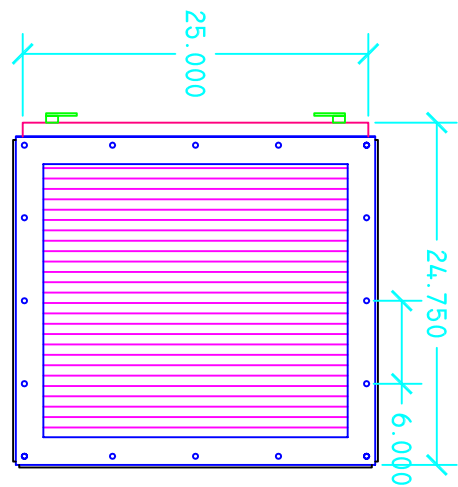
OPTIONS: EYEBOLTS (INSTALLED) SILENCER MAGNETIC PRESSURE GAUGE MANOMETER SOURCE CAPTURE PLENUM DUAL DOORS FULL CARBON STEEL CONST.

WEIGHT: 175 LBS. (STD)

M36



SIDE VIEW



INLET VIEW

DISTRIBUTED BY:

COPYRIGHT: THIS DOCUMENT AND THE INFORMATION CONTAINED MAY NOT BE REPRODUCED OR DISTRIBUTED WITHOUT EXPRESS WRITTEN CONSENT OF INDUSTRIAL MAID. UNAUTHORIZED REPRODUCTION, DISCLOSURE, OR MANUFACTURING USE ARE PROHIBITED BY COPYRIGHT LAW.



INDUSTRIAL MAID LLC
351 S. 12TH RD.
CORTLAND, NE 68331
PH. (402) 798-7116
FAX (402) 798-7117
WWW.INDUSTRIAL-MAID.COM