

SHEET TITLE : AZTECH T3000

DRWG. NO.: T3-062706 DRAWN BY: TAA

DATE: 06/27/06 SCALE: NTS

SPECIFICATIONS:

DIMENSIONS: 25"H X 72" W X 25" D

MOTOR: 3/4 HP, 115/230/11/60, 2 SP., 10.2 FLA

CFM: HIGH - 3,000 CFM @ .6" W.G.
LOW - 2600 CFM @ 0.2" W.G.

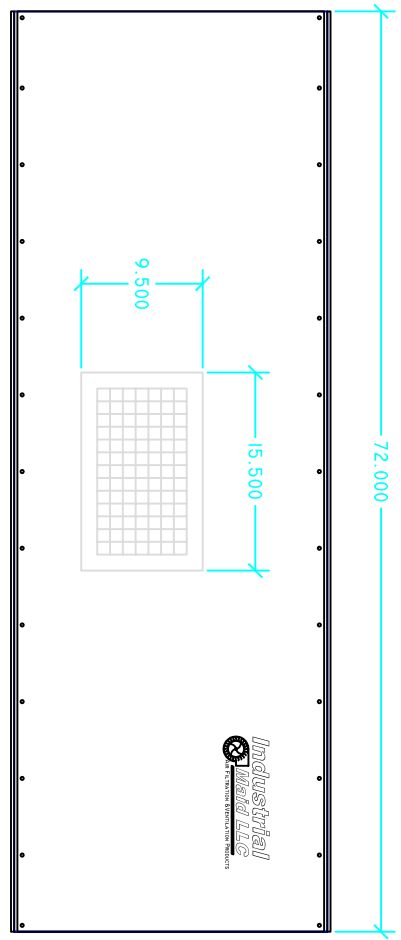
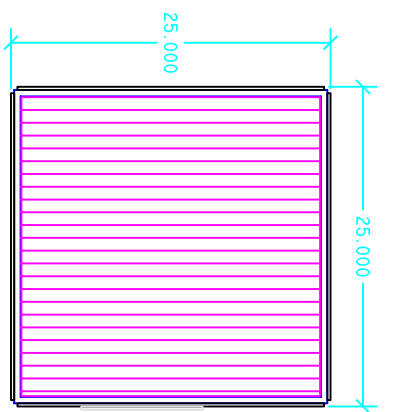
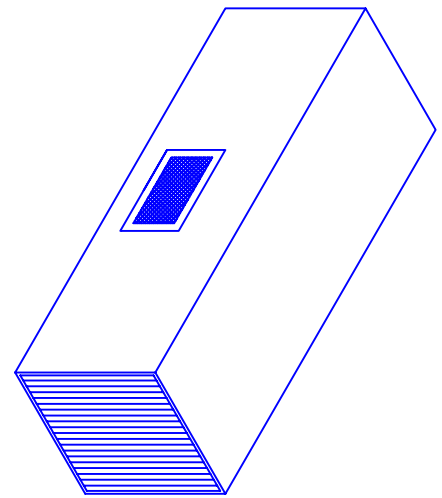
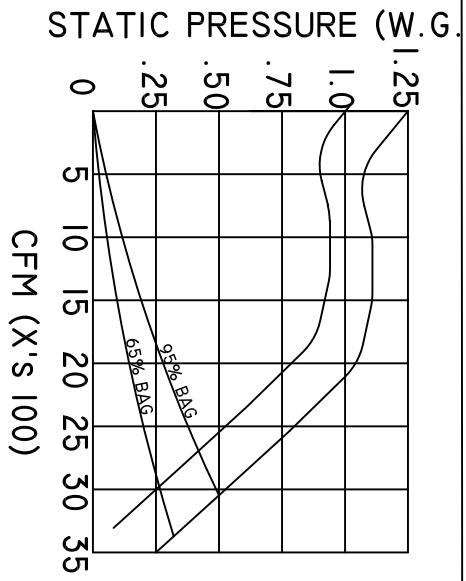
CONSTRUCTION 1/2 & 1/4 GA POWDER COATED STEEL FRAME.
3/16 POLYETHYLENE PANELS, FULL CARBON STEEL CONSTRUCTION AVAILABLE.
4-WAY ALUMINUM EXHAUST GRILLE

ELECTRICAL 12 FT 14/3 POWER CORD & 2 SPEED SWITCH

BLOWER: 10 X 10 FORWARD CURVED BLOWER DIRECT DRIVE

FILTERS: 4" PLEATED PREFILTERS, 22.3 SF EA.
(2) 95% BAG FILTER, 80 SF EACH
(2) 65% BAG FILTER, 80 SF EA (OPT.)
2" CARBON TRAY (OPT.)

OPTIONS: EYEBOLTS (INSTALLED)
SILENCER
MAGNETIC PRESSURE GAUGE
WEIGHT: 150 LBS.



DISTRIBUTED BY:



COPYRIGHT: THIS DOCUMENT AND THE INFORMATION CONTAINED MAY NOT BE REPRODUCED OR DISTRIBUTED WITHOUT EXPRESS WRITTEN CONSENT OF INDUSTRIAL MAID. UNAUTHORIZED REPRODUCTION, DISCLOSURE, OR MANUFACTURING USE ARE PROHIBITED BY COPYRIGHT LAW.

INDUSTRIAL MAID LLC
351 S. 12TH RD.
CORTLAND, NE 68331
PH. (402) 798-7116
FAX (402) 798-7117
WWW.INDUSTRIAL-MAID.COM